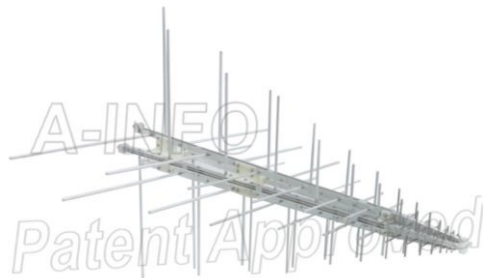


## Technical Specification



P/N: DS-SJ-20400	
Frequency Range(GHz)	0.2 - 4.0
Gain(dBi)	7 Typ.
Polarization	Dual Pol.
3dB Beamwidth(deg)	E Plane: 70 - 45
	H Plane: 120 - 70
Cross Pol. Isolation(dB)	15 Typ. / 8 Min.
Port to Port Isolation(dB)	25 Typ. / 20 Min.
VSWR	2.0:1 Typ. / 3.0:1 Max.
Output	N-Female
Average Power(W CW)	300 (100 @ 4.0GHz)
Peak Power(KW)	3
Material	Al
Size(mm)	856.6 x 856.6 x 1118.2
Net Weight(Kg)	4.00 Around

P/N: DS-SJ-20400C	
Frequency Range(GHz)	0.2 - 4.0
Gain(dBi)	7 Typ.
Polarization	Dual Pol.
3dB Beamwidth(deg)	E Plane: 70 - 45
	H Plane: 120 - 70
Cross Pol. Isolation(dB)	15 Typ. / 8 Min.
Port to Port Isolation(dB)	25 Typ. / 20 Min.
VSWR	2.5:1 Typ. / 3.5:1 Max.
Output	N-Female
Average Power(W CW)	300 (100 @ 4.0GHz)
Peak Power(KW)	3
Material	Al
Size(mm)	856.6 x 856.6 x 1110.7
Net Weight(Kg)	4.60 Around

**PATENT ID (China)**

**ZL201630454715.4**

**AINFO Inc.**

Page 1 of 9

China(Beijing):  
China(Chengdu):  
USA :

Tel: (+86) 10-6266-7326,  
Tel: (+86) 28-8519-2786,  
Tel: (+1) 949-639-9688,

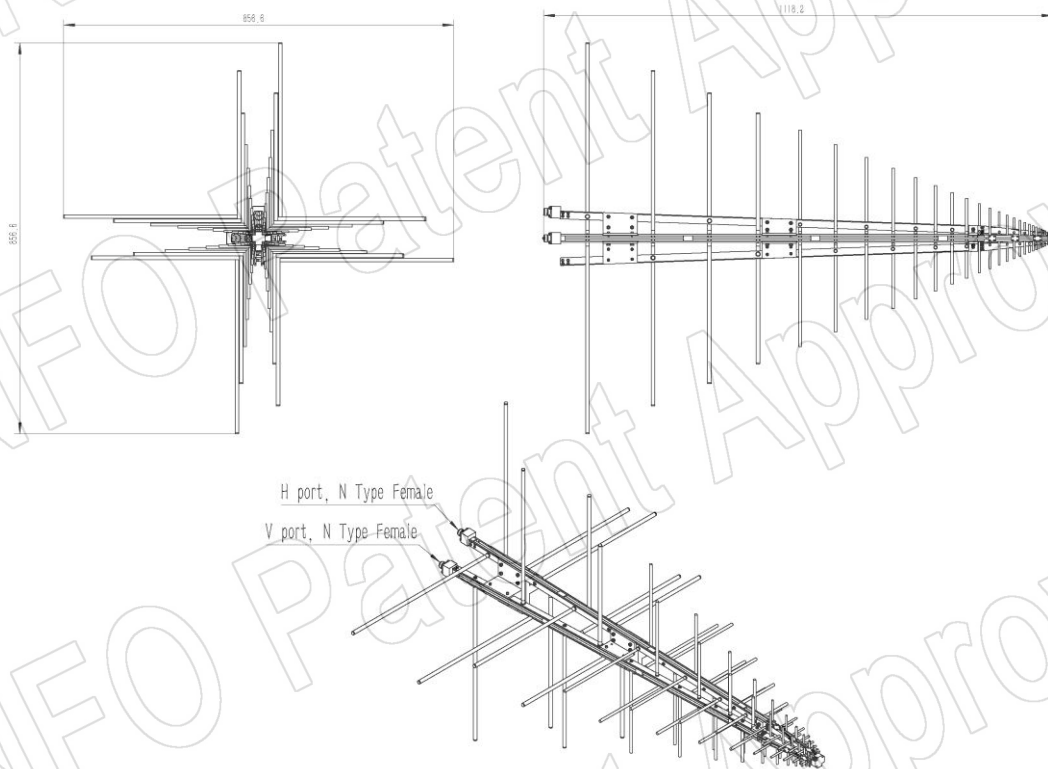
(+86) 10-6266-7327  
(+86) 28-8519-3044  
(+1) 949-639-9608

Fax: (+86) 10-6266-7379  
Fax: (+86) 28-8519-3068  
Fax: (+1) 949-639-9670

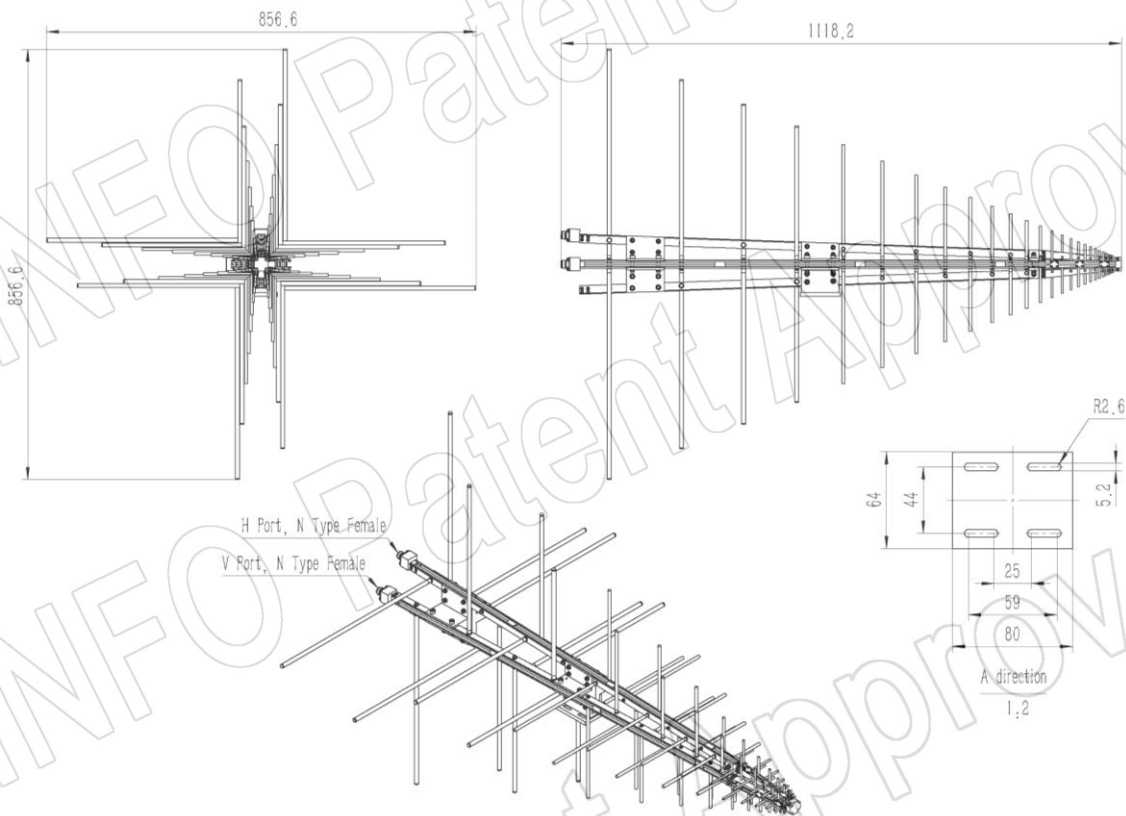
Website: [www.ainfoinc.com](http://www.ainfoinc.com)  
Email: [sales@ainfoinc.com](mailto:sales@ainfoinc.com)

## Outline Drawing (Size: mm)

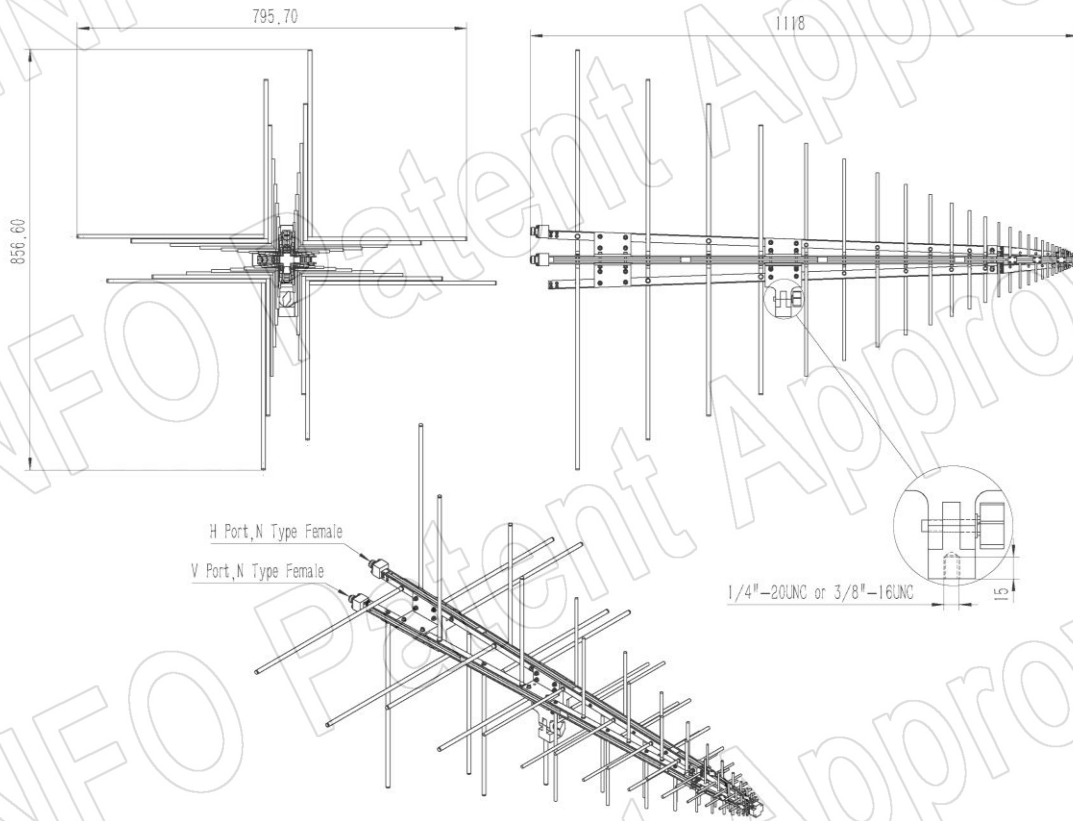
DS-SJ-20400 (P/N: DS-SJ-20400)



## DS-SJ-20400 with Mounting Bracket (Option, P/N: DS-SJ-20200-MB)

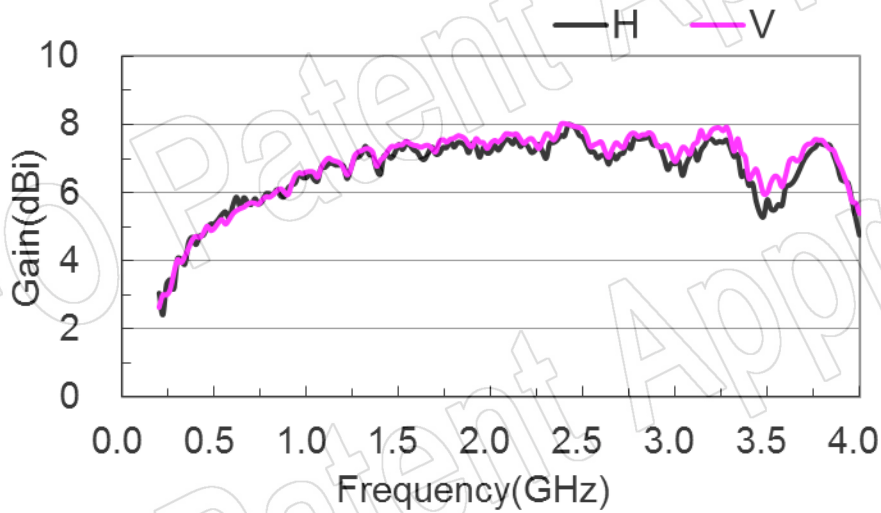


DS-SJ-20400 with Mounting Bracket for Tripod Application (Option, P/N: DS-SJ-20200-MBA)

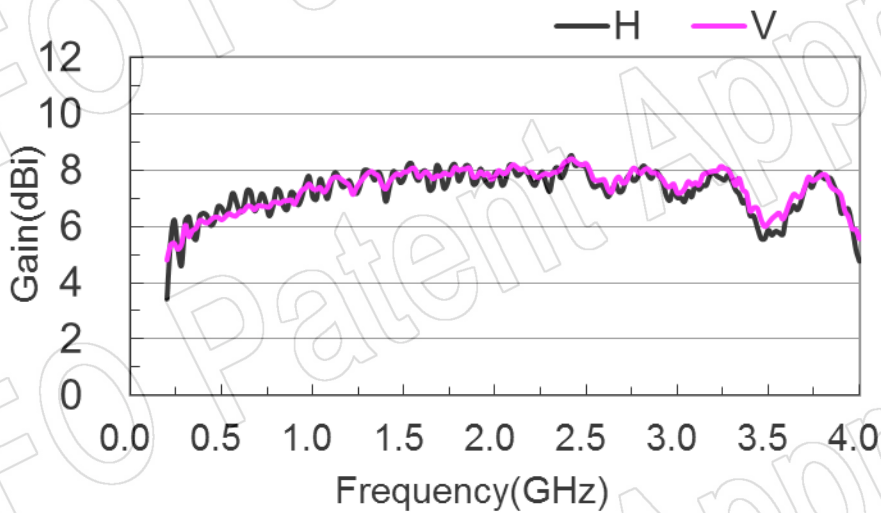


## Test Results

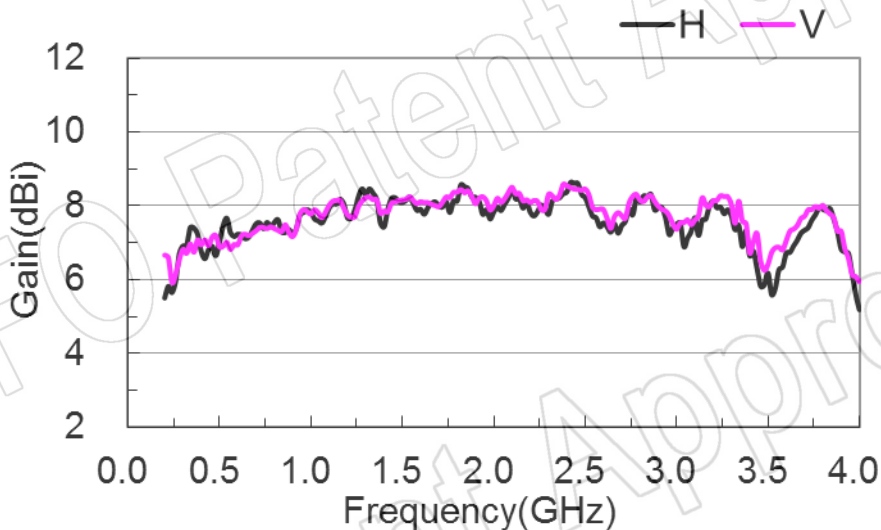
### 1. Gain at 1m



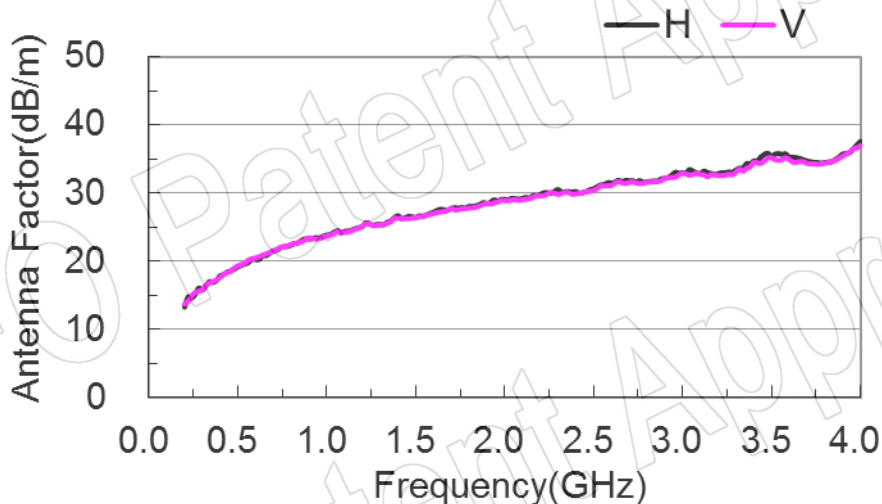
### at 3m



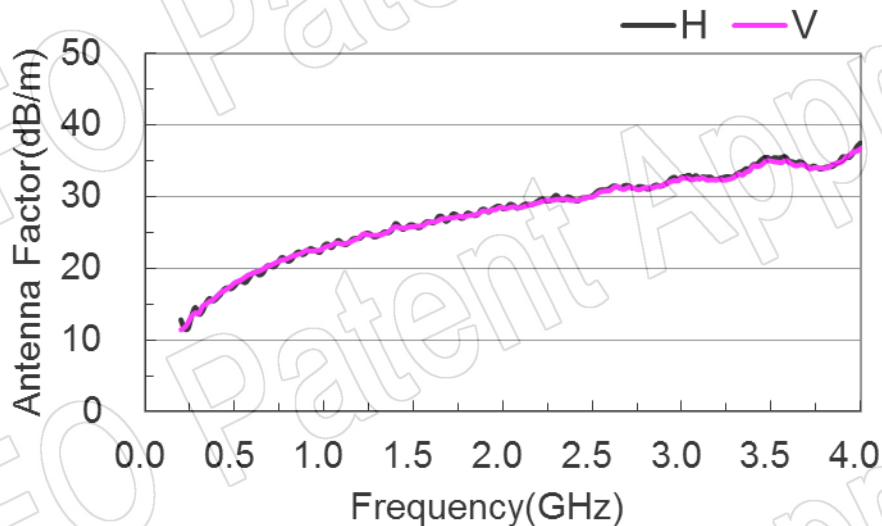
### at 10m



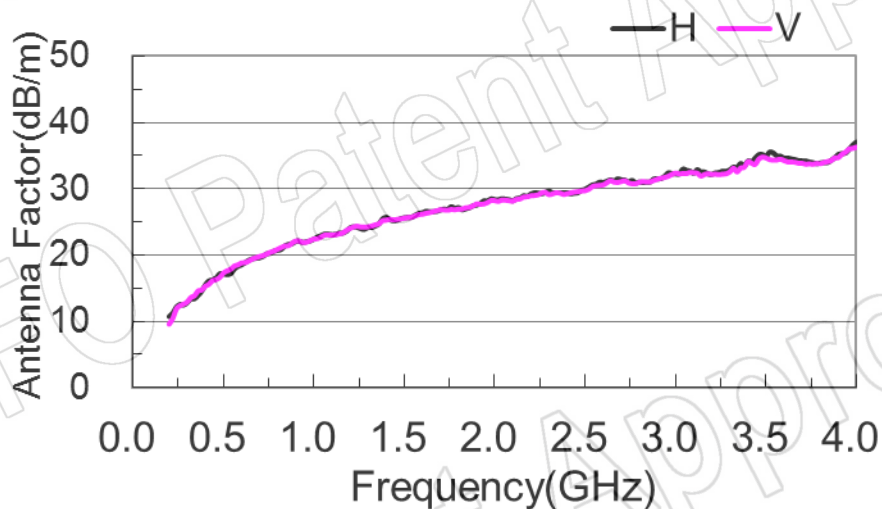
## 2. Antenna Factor at 1m



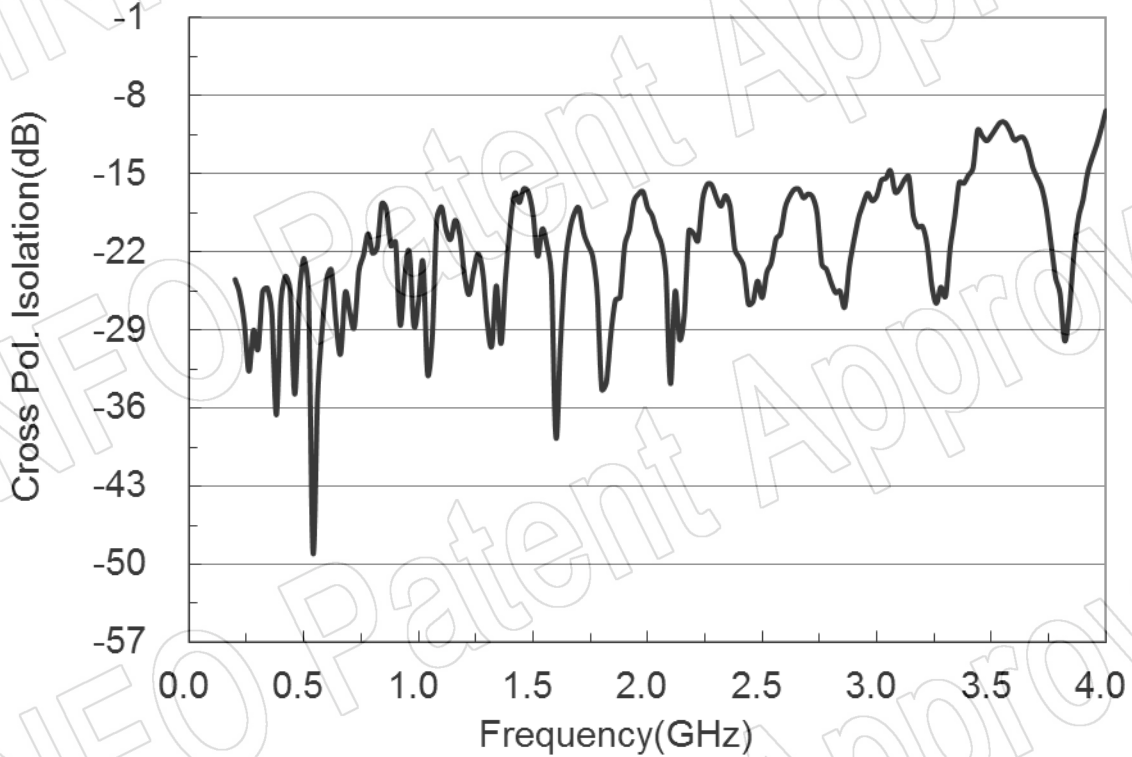
at 3m



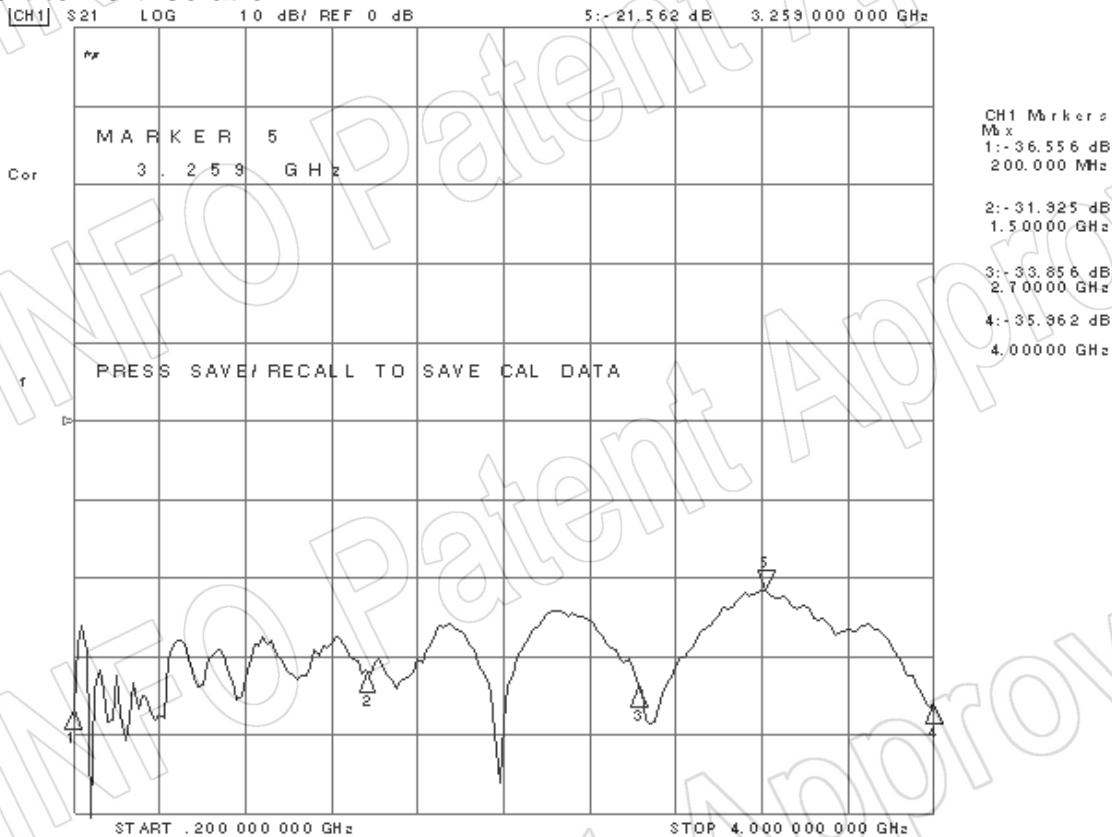
at 10m



### 3. Cross Polarization Isolation

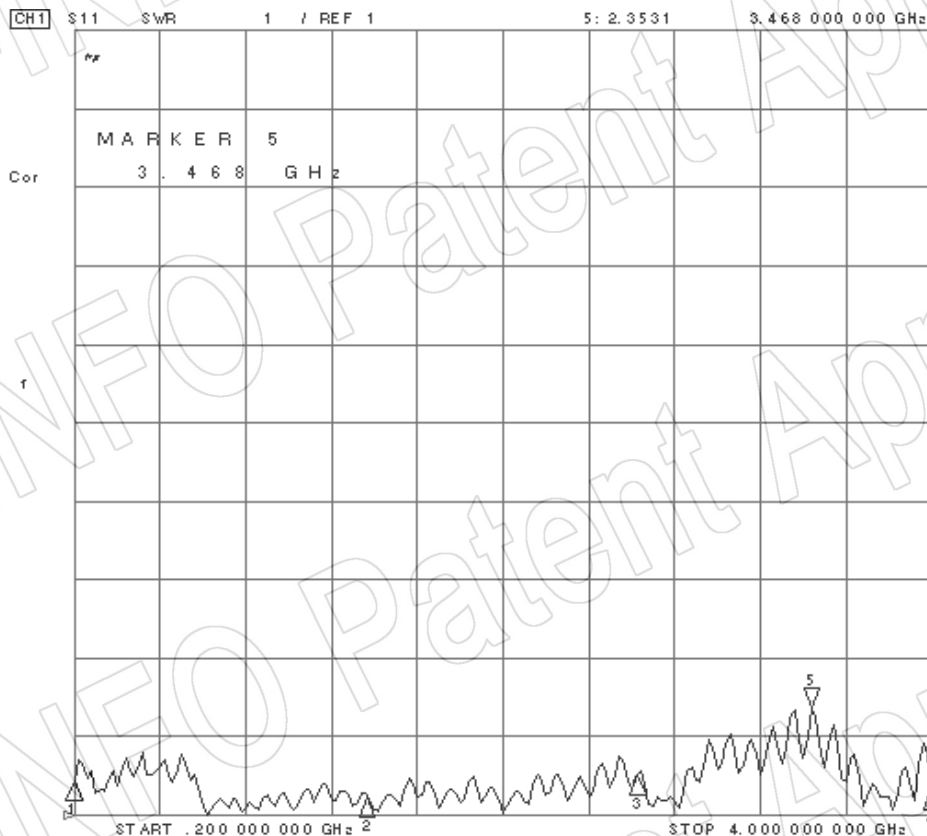


### 4. Port to Port Isolation

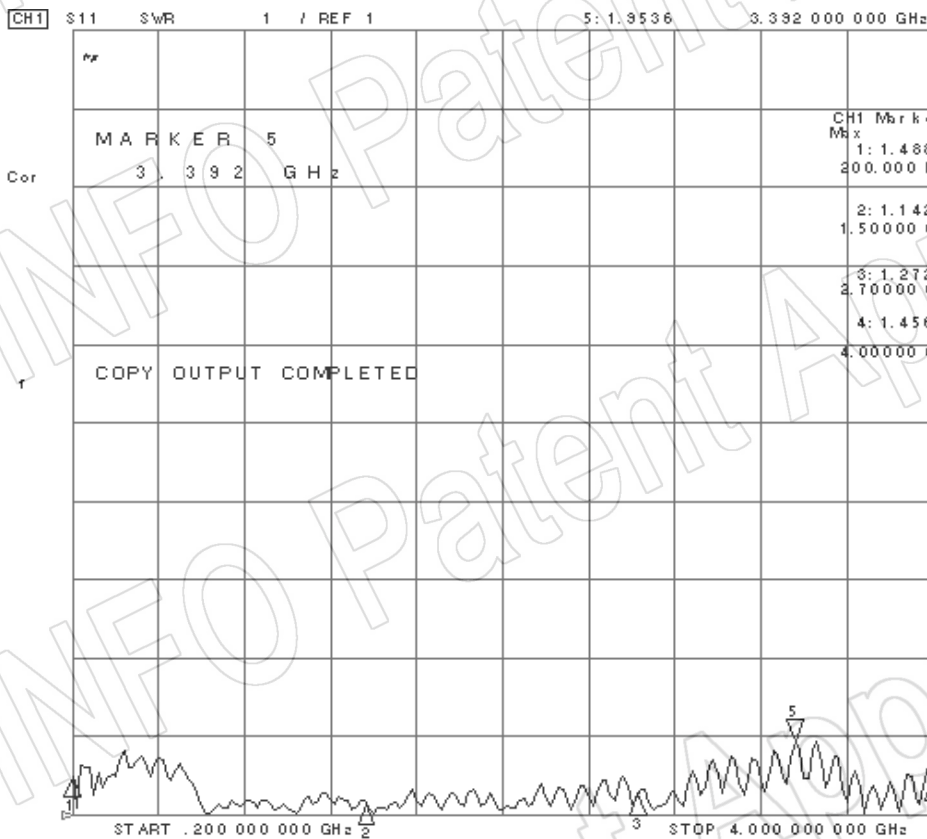


## 5. VSWR

### Port-H



### Port-V



## 6. Pattern

